





PROJECT		REF		REV	ITEM CODE	
LOCATION		DATE			PAGE	

SANITARY WARE SPECIFICATION SHEET

Item Descriptions	GROHE (Germany) "Atrio" Brushed hard graphite toilet roll holder	<p>Illustration/ Drawing</p>  
Dimensions	L151 x W90 x H35 mm	
Model	40313AL3	
Finish / Material	Brushed Hard Graphite / Metal	
Country of origin	Germany	
Manufacturer	GROHE Limited	
Supplier	Acme Sanitary Ware Co. Ltd Mr. Eric Wong/ Mr. Wilson Hung	
Contact Tel/Fax	(852) 2388-7171 / (852) 2710-8012	
E-mail	acme@acmesanitary.com.hk	
Website	www.acmesanitary.com.hk	

Product Descriptions

- material: metal
- concealed fastening
- without cover
- **GROHE StarLight** chrome finish

GROHE ATRIO

THE ICON OF ELEGANCE AND PRECISION

Consider the circle. A staple of natural geometry. A pure form at once soothing and dynamic. A visual metaphor for both, completeness and eternity. For its Atrio collection GROHE draws on this most elemental and elegant form to create an iconic object that is built to last.

The Atrio collection means design without restrictions. Each item is available in various finishes and size options to meet all demands of personal taste and different design schemes.

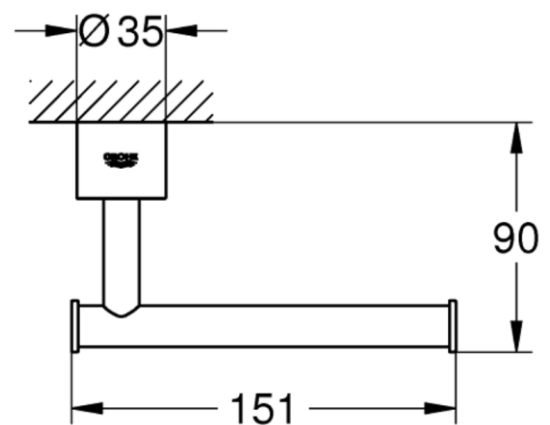


40313DC3

40313DA3

40313GL3

40313AL3



Colour options:

- 003 | StarLight Chrome
- DC3 | SuperSteel
- DA3 | Warm Sunset
- A03 | Hard Graphite
- AL3 | Brushed Hard Graphite
- GL3 | Cool Sunrise
- GN3 | Brushed Cool Sunrise
- DL3 | Brushed Warm Sunset
- BE3 | Polished Nickel
- EN3 | Brushed Nickel

Note: [GROHE Atrio](https://www.youtube.com/watch?v=ocWw1NWOh88) <https://www.youtube.com/watch?v=ocWw1NWOh88>